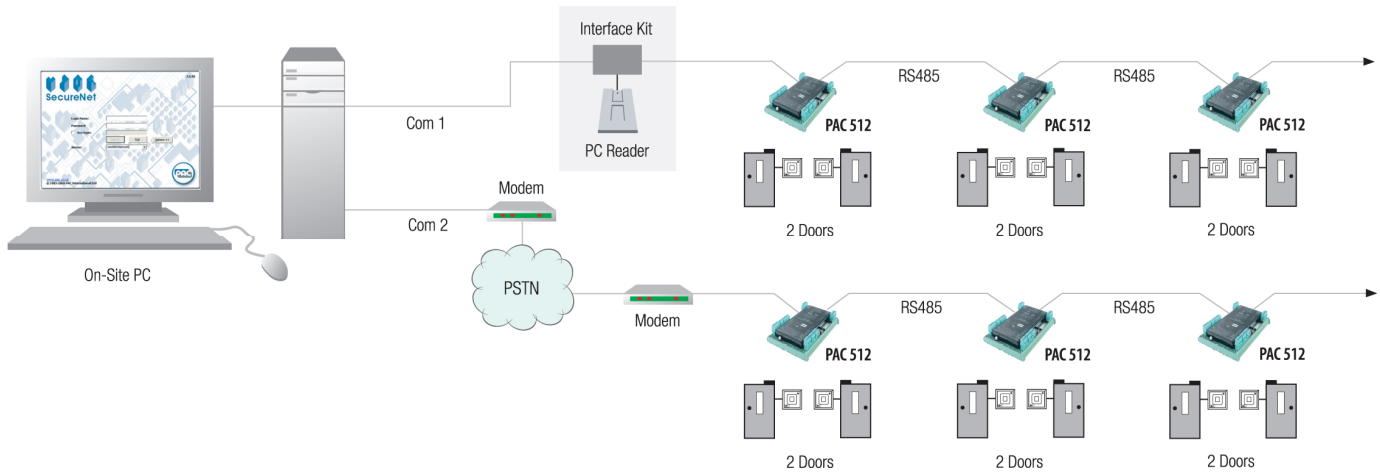
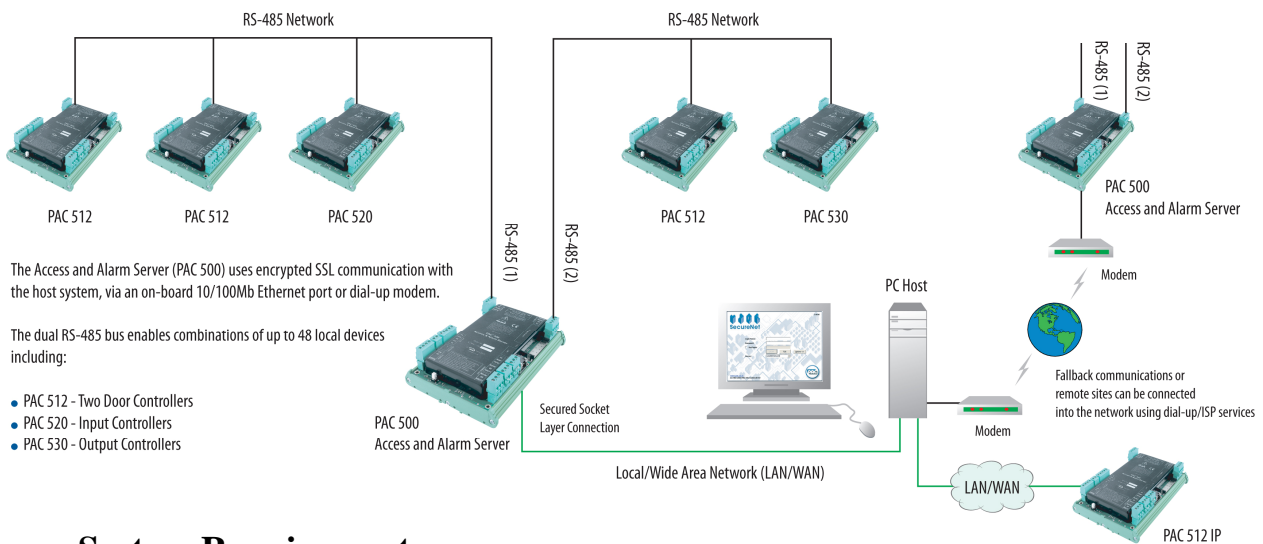


Simple System Configuration

ADMINISTRATION



Typical Integrated System Configuration



System Requirements

SecureNET Software	
Server System	Client
Operating System Windows 2000 Professional SP 3 and 2003 Server or	Windows 2000 Professional SP 3, or XP Professional SP 2
Processor 2 GHz or faster	1 GHz or faster
Memory 512 Mbytes	256 Mbytes (512 Mbytes recommended)
Hard Disk Minimum 500 Mbytes of free disk space	50Mbytes of free disk space
Optional Microsoft SQL Server 2000, Windows 2000 or Windows 2003 Server	

PC Administration Software Features	PAC SecureNET Part No. 21767	PAC SecureNET SE Part No. 13400	PAC SecureNET Pro Part No. 13401
Area Management(inc Area Mode Profiles)	-	-	ü
Alarm Management	-	ü	ü
Audit Trail	-	ü	ü
Badge Designer	ü	ü	ü
CCTV Integration (IP Cameras only)	-	ü	ü
DVR Integration	-	-	ü
Door Mode Profiles	ü	ü	ü
Lift Control	-	-	ü
Event Archiving	-	ü	ü
Event to Action	-	-	ü
Evacuation and Muster	-	-	ü
Reader Mode Profiles	ü	ü	ü
PAC 2100/2200 Support	-	-	-
Easikey 1000 Support	-	-	-
Doors	20	100	1,000
Keyholders/Cardholders	1,000	10,000	75,000
Operators	10	10	50
Time/Mode Profiles (4000 periods across all profiles)	20	100	200
Holiday Profiles (20 periods each)	2	10	10
Access Groups	20	2,000	5,000
PAC 500 Controllers	-	ü	ü
PAC 512 Controllers	ü	ü	ü
PAC 520 Controllers	-	ü	ü
PAC 530 Controllers	-	ü	ü
500 Channels	0	100	100
Direct Channels	50	50	50
Dial-up Channels	2	2	10
TCP/IP Channels	Unlimited	Unlimited	Unlimited
Off-Line Channels	Unlimited	Unlimited	Unlimited
Number of PC's (Client)	1	2	5
Number of Alarm Workstations	-	1	2
Local Organisational Units	1	1	1
Remote Organisational Unit	-	-	1
Communications Server	1	1	1
Application Servers	1	1	1

Upgrades				Part No.
5,000 Keyholder License add-on	<=75,000	<=75,000	<=75,000 as standard	13086
10 x Additional Doors	<=1,000	<=1,000	<=1,000 as standard	13109
50 x Additional Doors	<=1,000	<=1,000	<=1,000 as standard	13095
500 x Access Groups	<=5,000	<=5,000	<=5,000 as standard	13402
10 x 500 Channel add-on	<=100	100 as standard	100 as standard	13403
10 x 2100/2200 Controller	<=250	<=250	<=250	13404
10 Operator License add-on	<=100	<=100	<=100	13114
10 Dialup Channel License add-on	<=250	<=250	<=250	13971
50 Dialup Channel License add-on	<=250	<=250	<=250	13972
1 Concurrent PC License add-on	<=15	<=15	<=15	13091
1 Concurrent Alarm Workstation License add-on	<=4	<=4	<=4	13090
1 Remote Communication Server	<=4	<=4	<=4	13405
1 Organisational Unit	<=25	<=25	<=25	13413



The Central Management Tool for the PAC SecureNET System

The PAC SecureNET one Platform Software sets a new industry standard, for performance, reliability and flexibility, and can be tailored to meet the access control needs of your organisation regardless of its size. As your business security requirements revolve, PAC responds by delivery industry leading solutions targeted at meeting today's business requirements. It controls access into and around facilities by controlling access to doors, while providing high security through advanced alarm management and ensuring scalability as systems grow.

PAC SecureNET is designed for use with the powerful new PAC 500 series of controllers, but we value long term customer relationships so we have included the ability to easily utilise and interface with our legacy 2100/2200 controllers.

It's an advanced and simple to administer Solution designed to provide optimum performance today and in the future. An open architecture design based on Microsoft's NET and CE. NET platforms allows administrators to integrate increasingly sophisticated capabilities as needs change and grow, extending the product life cycle and providing the best return on a company's investment.

Easily configured to operate on a Standalone PC or across a Corporate network, SecureNET displays detailed real time information of events including alarms as they occur across a facility, as well as offering alarm monitoring, digital video, intrusion detection and ID production.

Key Features

- ò Operates under Microsoft Windows 2000/XP-based software
- ò Advanced Microsoft.NET architecture
- ò Supports SQL 2000 and MSDE databases
- ò Support for up to 15 PC clients
- ò Multi-language support
- ò Up to 75,000 Keyholders/Cardholders
- ò Supports up to 1,000 doors
- ò Individual door access times (DDA requirement)
- ò Evacuation and muster reports
- ò Audit trail
- ò Secure communications (SSL) with PAC 500 over Ethernet
- ò Up to 100 password protected operators
- ò Photo ID badge creator and printing support
- ò Graphical map support
- ò Lift control
- ò Event-to-action
- ò Area Manager
- ò User definable fields
- ò Import/export facility
- ò User programme Crystal reports
- ò Event archiving
- ò 5,000 access groups
- ò 40 holiday profiles with 20 start and end dates and times
- ò Video Recorders (DVD) and Axis Internet Protocol (IP)
- ò 200 time profiles 4,000 records
- ò Magstripe card encoding
- ò External OPC software interface (OPC alarm and events)
- ò Up to 4 concurrent alarm workstations